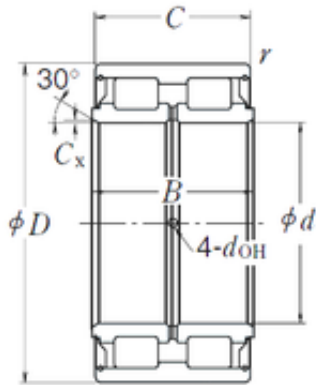




# FML ske Manufacturing Co., Ltd

## 170 mm x 260 mm x 122 mm NSK RS-5034 cylindrical roller bearings



Bearing No. RS-5034

RS-5034 Bearing 2D drawings and 3D CAD models

|                               |                  |
|-------------------------------|------------------|
| Size                          | 170x260x122 mm   |
| Bore Diameter                 | 170 mm           |
| Outer Diameter                | 260 mm           |
| Width                         | 122 mm           |
| d                             | 170 mm           |
| D                             | 260 mm           |
| B                             | 122 mm           |
| C                             | 121 mm           |
| r min.                        | 1,1 mm           |
| C2                            | 1,3 mm           |
| Weight                        | 22,2 Kg          |
| Basic dynamic load rating (C) | 860 kN           |
| Basic static load rating (C0) | 1680 kN          |
| hidYobi                       | RS-5034          |
| LangID                        | 1                |
| D_                            | 260              |
| B_                            | 122              |
| hidTable                      | ecat_NSCLDRSG    |
| Cx                            | 1.3              |
| mass                          | 22.2             |
| GRS rpm                       | 600              |
| da_min                        | 177              |
| C0                            | 1680             |
| DE_                           | 237              |
| Prod_Type3                    | CRB_FRFS_PT_WOLR |



## FML ske Manufacturing Co., Ltd

|       |         |
|-------|---------|
| DA_   | 23      |
| Z_    | 29      |
| r_min | 1.1     |
| yobi  | RS-5034 |
| SDM_  | 214     |
| r     | 121     |
| KBRG  | 4220    |
| DI_   | 191     |
| doh   | 6       |