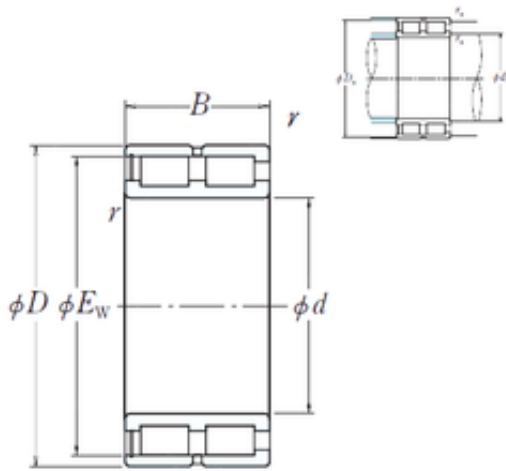




FML ske Manufacturing Co., Ltd

280 mm x 420 mm x 190 mm NSK NNCF5056V cylindrical roller bearings

Bearing No. NNCF5056V



NNCF5056V Bearing 2D drawings and 3D CAD models

Size	280x390.5x190 mm
Bore Diameter	280 mm
Outer Diameter	390,5 mm
Width	190 mm
d	280 mm
D	420 mm
Ew	390,5 mm
B	190 mm
C	190 mm
r min.	4 mm
Da	395 mm
ra max.	3 mm
da	302 mm
Weight	87,7 Kg
Basic dynamic load rating (C)	2770 kN