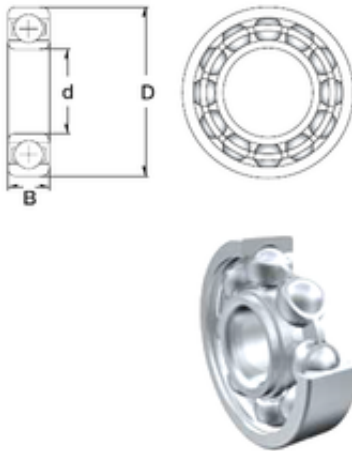




# FML ske Manufacturing Co., Ltd



6 mm x 19 mm x 6 mm ZEN S626-2RS deep groove ball bearings

Bearing No. S626-2RS

Size	6x19x6 mm
Bore Diameter	6 mm
Outer Diameter	19 mm
Width	6 mm
d	6 mm
D	19 mm
B	6 mm
C	6 mm
Basic dynamic load rating (C)	2,336 kN
Basic static load rating (C0)	0,896 kN

S626-2RS Bearing 2D drawings and 3D CAD models