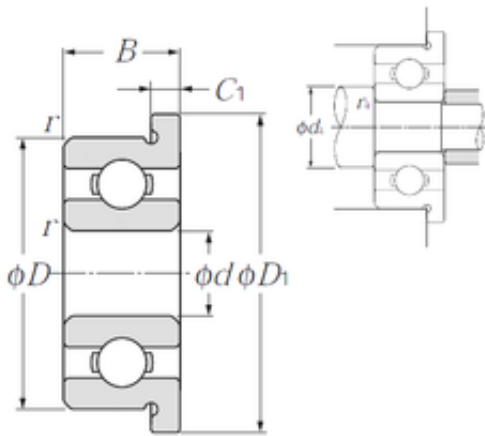




FML ske Manufacturing Co., Ltd

6 mm x 13 mm x 3,5 mm NTN FL686 deep groove ball bearings

Bearing No. FL686



FL686 Bearing 2D drawings and 3D CAD models

| | |
|-------------------------------|--------------|
| Size | 6x15x3.5 mm |
| Bore Diameter | 6 mm |
| Outer Diameter | 15 mm |
| Width | 3,5 mm |
| d | 6 mm |
| D | 13 mm |
| D1 | 15 mm |
| B | 3,5 mm |
| r min. | 0,15 mm |
| C1 | 1 mm |
| da min. | 7 mm |
| da max | 7,2 mm |
| Da max. | 11,8 mm |
| ra max. | 0,15 mm |
| Weight | 2,2 Kg |
| Basic dynamic load rating (C) | 1,08 kN |
| Basic static load rating (C0) | 0,44 kN |
| (Grease) Lubrication Speed | 39 000 r/min |
| (Oil) Lubrication Speed | 46 000 r/min |