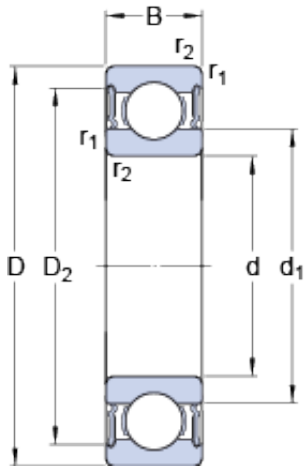




FML ske Manufacturing Co., Ltd



45 mm x 55 mm x 6 mm SKF W 61709-2RS1
deep groove ball bearings

Bearing No. W 61709-2RS1

W 61709-2RS1 Bearing 2D drawings and 3D CAD models

Size	55x45x6 mm
Bore Diameter	55 mm
Outer Diameter	45 mm
Width	6 mm
d	45 mm
D	55 mm
B	6 mm
d ₁	48.3 mm
D ₂	53.2 mm
r _{1,2} - min.	0.3 mm
d _a - min.	47 mm
d _a - max.	48 mm
D _a - max.	53.5 mm
r _a - max.	0.3 mm
Basic dynamic load rating - C	1.5 kN
Basic static load rating - C ₀	1.4 kN
Fatigue load limit - P _u	0.06 kN
Limiting speed	6700 r/min
Calculation factor - k _r	0.015
Calculation factor - f ₀	9.1
d ₁	48.3 mm
D ₂	53.2 mm
r _{1,2} min.	0.3 mm
d _a min.	47 mm



FML ske Manufacturing Co., Ltd

d_a max.	48 mm
D_a max.	53.5 mm
r_a max.	0.3 mm
Basic dynamic load rating C	1.46 kN
Basic static load rating C_0	1.37 kN
Fatigue load limit P_u	0.06 kN
Calculation factor k_r	0.015
Calculation factor f_0	9.1
Mass bearing	0.025 kg