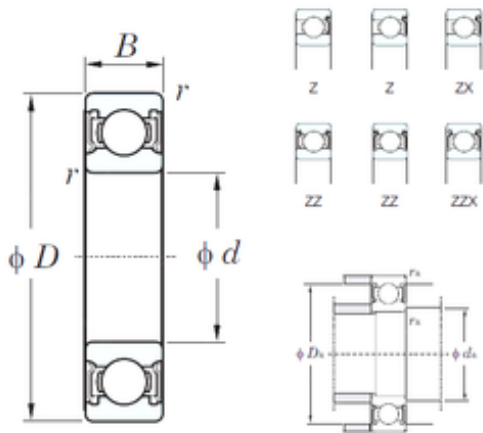




# FML ske Manufacturing Co., Ltd



65 mm x 90 mm x 13 mm KOYO 6913ZZ deep groove ball bearings

Bearing No. 6913ZZ

6913ZZ Bearing 2D drawings and 3D CAD models

Size	65x90x13 mm
Bore Diameter	65 mm
Outer Diameter	90 mm
Width	13 mm
d	65 mm
D	90 mm
B	13 mm
C	13 mm
r min.	1 mm
da min.	70 mm
da max	71 mm
Da max.	85 mm
ra max.	1 mm
Weight	0,211 Kg
Basic dynamic load rating (C)	17,4 kN
Basic static load rating (C0)	16,1 kN
(Grease) Lubrication Speed	7100 r/min