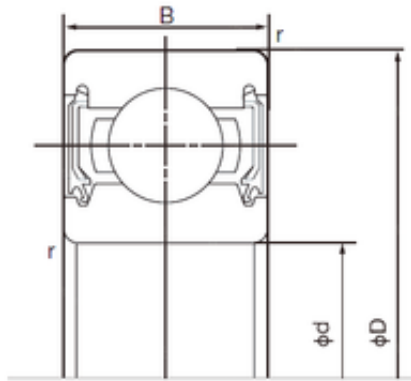




FML ske Manufacturing Co., Ltd

35 mm x 80 mm x 21 mm NACHI 6307-2NSE deep groove ball bearings



Bearing No. 6307-2NSE

Size	35x80x21 mm
Bore Diameter	35 mm
Outer Diameter	80 mm
Width	21 mm
d	35 mm
D	80 mm
B	21 mm
C	21 mm
r min.	1.5 mm
da min.	44 mm
Da max.	71 mm
ra max.	1.5 mm
Weight	0.457 Kg
Basic dynamic load rating (C)	33,5 kN
Basic static load rating (C0)	19,2 kN

6307-2NSE Bearing 2D drawings and 3D CAD models