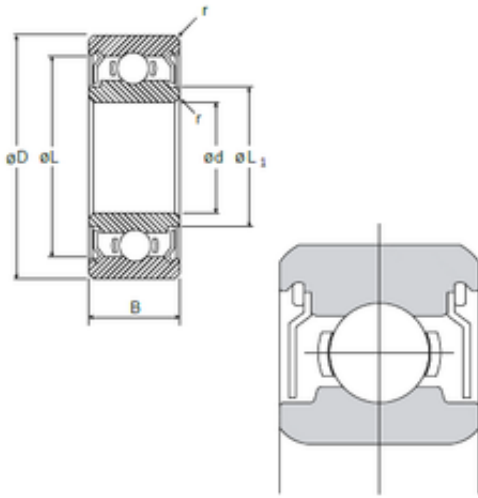




FML ske Manufacturing Co., Ltd



4,762 mm x 9,525 mm x 3,175 mm NMB
RI-6632ZZ deep groove ball bearings

Bearing No. RI-6632ZZ

Size	4.762x9.525x3.175 mm
Bore Diameter	4,762 mm
Outer Diameter	9,525 mm
Width	3,175 mm
d	4,762 mm
D	9,525 mm
B	3,175 mm
C	3,175 mm
r min.	0,08 mm
L	0,343 mm
L1	0,235 mm
Basic dynamic load rating (C)	0,712 kN

RI-6632ZZ Bearing 2D drawings and 3D CAD models