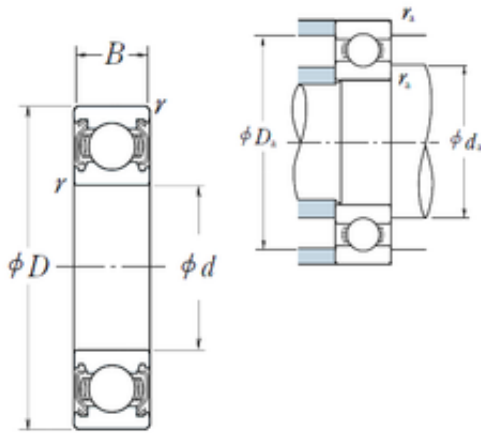




FML ske Manufacturing Co., Ltd



110 mm x 140 mm x 16 mm NSK 6822ZZ deep groove ball bearings

Bearing No. 6822ZZ

6822ZZ Bearing 2D drawings and 3D CAD models

Size	110x140x16 mm
Bore Diameter	110 mm
Outer Diameter	140 mm
Width	16 mm
d	110 mm
D	140 mm
B	16 mm
C	16 mm
r min.	1 mm
da min.	115 mm
da max	117 mm
Da max.	135 mm
ra max.	1 mm
Weight	0,497 Kg
Basic dynamic load rating (C)	28,1 kN
Basic static load rating (C0)	32,5 kN
(Grease) Lubrication Speed	4 300 r/min
SRI	4.52
hidYobi	6822ZZ
LangID	1
D_	140
SREX	0.02
B_	16
da min	115
hidTable	ecat_NSRDGB



FML ske Manufacturing Co., Ltd

SRE	4.52
mass	0.497
GRS rpm	4300
ra	1
SRIX	0.02
D_a	135
SRIN	-0.02
C0	32.5
fo	17.1
SREN	0
DE_	133.731
Prod_Type3	DGBB_SR_ZZ
DA_	8.731
bomp	0
Z_	25
yobi	6822ZZ
C_conv	28100
ALPHA_	0
SDM_	125
r	1
KBRG	6141
SBRG	18
DI_	116.269