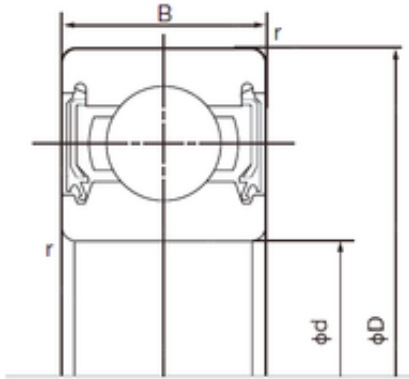




FML ske Manufacturing Co., Ltd

15 mm x 32 mm x 9 mm NACHI 6002-2NSE9 deep groove ball bearings



Bearing No. 6002-2NSE9

6002-2NSE9 Bearing 2D drawings and 3D CAD models

Size	15x32x9 mm
Bore Diameter	15 mm
Outer Diameter	32 mm
Width	9 mm
d	15 mm
D	32 mm
B	9 mm
C	9 mm
r min.	0.3 mm
Basic dynamic load rating (C)	5,6 kN
Basic static load rating (C0)	2,84 kN
Bore Type	Cylindrical Bore
Enclosure	Double Seal
Configuration	Single Row
Weight	0.032 kg
Bore Size	15 mm
Outside Diameter	32 mm
Width	9 mm
Fillet Radius/Chamfer	0.3 mm
Dynamic Load Rating	5,600 N
Static Load Rating	2,840 N
Limiting Speed - Grease	15,000 rpm
Factor fo	13.9
Radial Clearance	0.003 to 0.018 mm
da (min)	17 mm



FML ske Manufacturing Co., Ltd

Da (max)	30 mm
ra (max)	0.3 mm