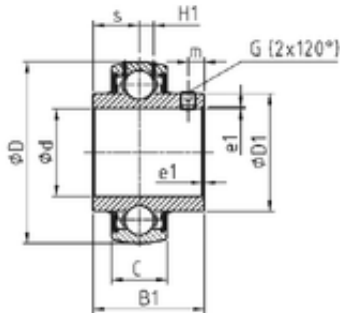




# FML ske Manufacturing Co., Ltd



## SNR UC213 deep groove ball bearings

Bearing No. UC213

Size	65x120x28 mm
Bore Diameter	65 mm
Outer Diameter	120 mm
Width	28 mm
d	65 mm
D	120 mm
B1	65,1 mm
C	28 mm
e	1,5 mm
a	6 mm
m	12 mm
s	25,4 mm
D1	82 mm
H1	8 mm
Thread (G)	M12x1,25
Weight	1,86 Kg
Basic dynamic load rating (C)	57,2 kN

UC213 Bearing 2D drawings and 3D CAD models