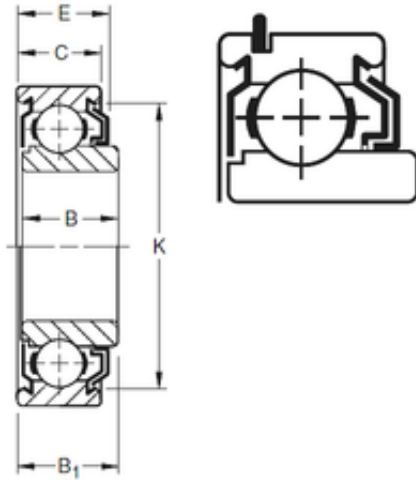




# FML ske Manufacturing Co., Ltd



13 mm x 32 mm x 12,19 mm Timken  
201KLDG3 deep groove ball bearings

Bearing No. 201KLDG3

Size	13x32x12.19 mm
Bore Diameter	13 mm
Outer Diameter	32 mm
Width	12,19 mm
d	13 mm
D	32 mm
B	12,19 mm
B1	12,7 mm
C	10,01 mm
E	12,19 mm
K	27 mm
Weight	0,041 Kg
Basic dynamic load rating (C)	7,5 kN

201KLDG3 Bearing 2D drawings and 3D CAD models