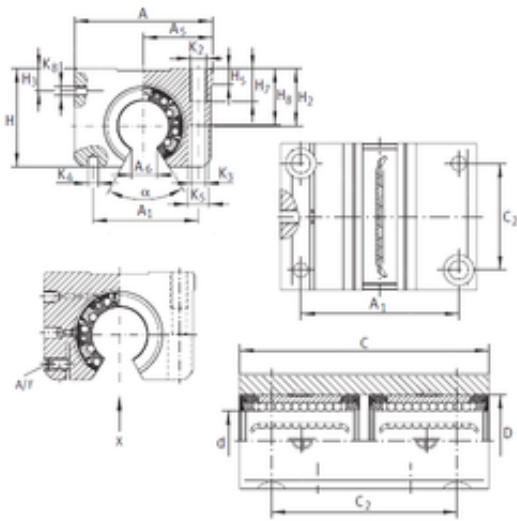




FML ske Manufacturing Co., Ltd

INA KTNOS 25 C-PP-AS linear bearings

Bearing No. KTNOS 25 C-PP-AS



KTNOS 25 C-PP-AS Bearing 2D drawings and 3D CAD models

Bore Diameter	25 mm
Outer Diameter	40 mm
d	25 mm
D	40 mm
A6	11,5 mm
A/F	3 mm
H5	9 mm
H7	22 mm
H8	29 mm
K3	8,4 mm
K4	6 mm
K5	15 mm
Thread (K2)	M10
Thread (K8)	M8X1
H3	12,5 mm
A5	39 mm
C3	44 mm
Angle (?)	57 °
A	78 mm
A1	60 mm
C	122 mm
H	51 mm
H2	30 mm
C2	94 mm
Weight	1,06 Kg