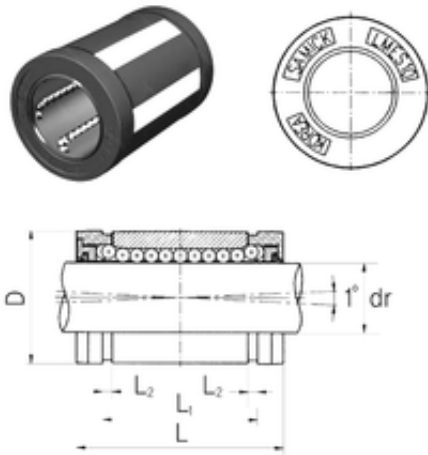




# FML ske Manufacturing Co., Ltd

## Samick LMES16 linear bearings



Bearing No. LMES16

Bore Diameter	16 mm
Outer Diameter	26 mm
d	16 mm
D	26 mm
L ± 0.2	36 mm
L1 ± 0.2	24,7 mm
L2 min.	1,35 mm
Weight	0,028 Kg
Basic dynamic load rating (C)	1,55 kN

LMES16 Bearing 2D drawings and 3D CAD models