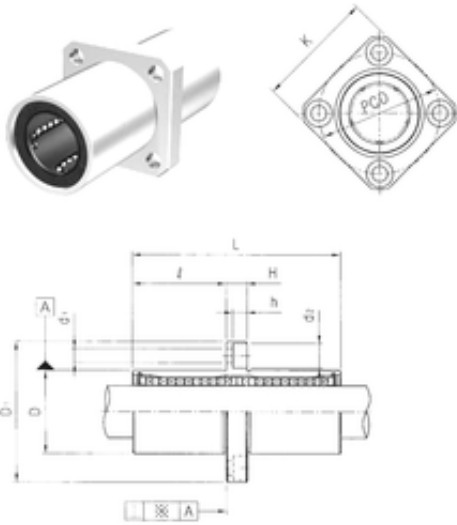




# FML ske Manufacturing Co., Ltd



LMKM30UU Bearing 2D drawings and 3D CAD models

## Samick LMKM30UU linear bearings

Bearing No. LMKM30UU

Bore Diameter	30 mm
Outer Diameter	45 mm
d	30 mm
D	45 mm
d1	6,6 mm
d2	11 mm
h	6,5 mm
D1	74 mm
H	10 mm
K	58 mm
L	123 mm
PCD	60 mm
	56,5 Tolerance h14
Tolerance perpendicularity (C)	20
Weight	0,655 Kg
Basic dynamic load rating (C)	2,94 kN