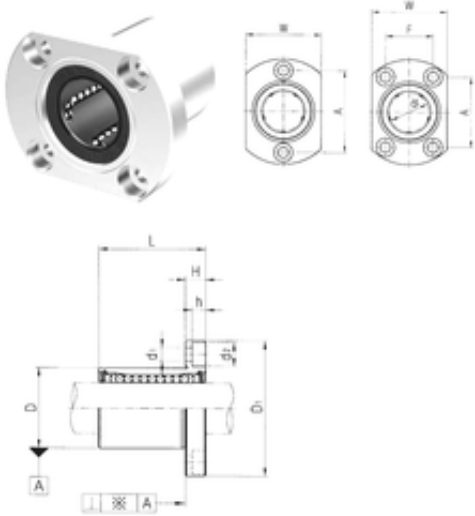




FML ske Manufacturing Co., Ltd



LMH16 Bearing 2D drawings and 3D CAD models

Samick LMH16 linear bearings

Bearing No. LMH16

Bore Diameter	16 mm
Outer Diameter	28 mm
d	16 mm
D	28 mm
d1	4,5 mm
d2	8 mm
h	4,4 mm
A	31 mm
D1	48 mm
F	22 mm
H	6 mm
L	37 mm
W	34 mm
Tolerance perpendicularity (C)	12
Weight	0,134 Kg
Basic dynamic load rating (C)	0,77 kN