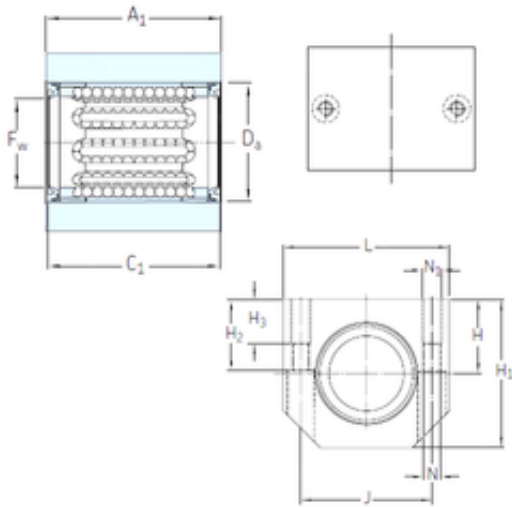




FML ske Manufacturing Co., Ltd



SKF LUJR 50 linear bearings

Bearing No. LUJR 50

Bore Diameter	50 mm
Fw	50 mm
H3	26 mm
Da	62 mm
A1	81 mm
C1	80 mm
H	47 mm
H1	92 mm
H2	46 mm
J	82 mm
L	103 mm
N	10,5 mm
Thread (N1)	M12
Weight	1,37 Kg
Basic dynamic load rating (C)	6,95 kN

LUJR 50 Bearing 2D drawings and 3D CAD models