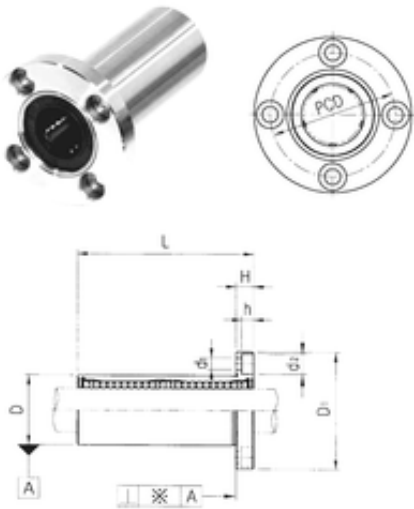




FML ske Manufacturing Co., Ltd



LMEF12L Bearing 2D drawings and 3D CAD models

Samick LMEF12L linear bearings

Bearing No. LMEF12L

Bore Diameter	12 mm
Outer Diameter	22 mm
d	12 mm
D	22 mm
d1	4,5 mm
d2	8 mm
h	4,4 mm
D1	42 mm
H	6 mm
L	57 mm
PCD	32 mm
Tolerance perpendicularity (C)	15
Weight	0,1 Kg
Basic dynamic load rating (C)	0,65 kN