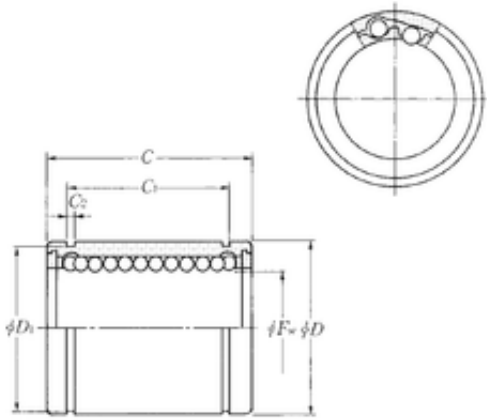




FML ske Manufacturing Co., Ltd

NTN KLM08-1LL linear bearings

Bearing No. KLM08-1LL



KLM08-1LL Bearing 2D drawings and 3D CAD models

Size	8x15x24 mm
Bore Diameter	8 mm
Outer Diameter	15 mm
Width	24 mm
Fw	8 mm
D	15 mm
C	24 mm
C1	17,3 mm
D1	14,3 mm
C2	1,1 mm
Weight	0,017 Kg
Basic dynamic load rating (C)	234 kN