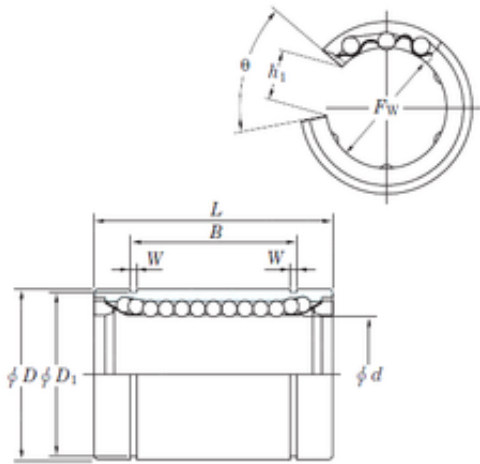




FML ske Manufacturing Co., Ltd

40 mm x 60 mm x 60.5 mm KOYO SESDM40 OP linear bearings



Bearing No. SESDM40 OP

Size	40x60x60.5 mm
Bore Diameter	40 mm
Outer Diameter	60 mm
Width	60.5 mm
d	40 mm
D	60 mm
h1	20 mm
B	60.5 mm
D1	57 mm
L	80 mm
W	2.1 mm
	50 °
Basic dynamic load rating (C)	2 160 kN

SESDM40 OP Bearing 2D drawings and 3D CAD models