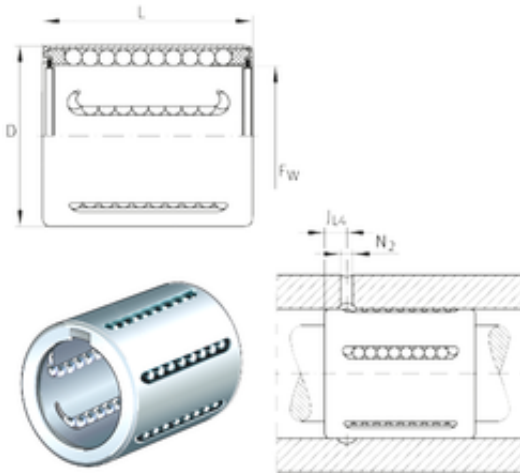




FML ske Manufacturing Co., Ltd

INA KH14-PP linear bearings

Bearing No. KH14-PP



Bore Diameter	14 mm
Outer Diameter	21 mm
Fw	14 mm
D	21 mm
N2	2,5 mm
L	28 mm
JL4	6 mm
Weight	0,0205 Kg
Basic dynamic load rating (C)	0,83 kN

KH14-PP Bearing 2D drawings and 3D CAD models