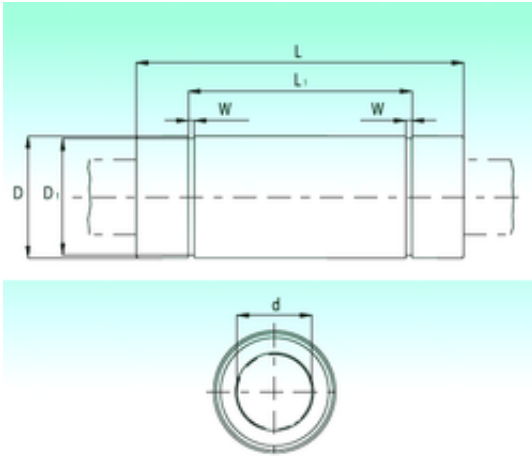




# FML ske Manufacturing Co., Ltd



KBL40154 Bearing 2D drawings and 3D CAD models

## NBS KBL40154 linear bearings

Bearing No. KBL40154

Bore Diameter	40 mm
Outer Diameter	62 mm
d	40 mm
D	62 mm
D1	59 mm
L1	121,2 mm
W	2,15 mm
L	154 mm
Weight	1,17 Kg
Basic dynamic load rating (C)	3,43 kN