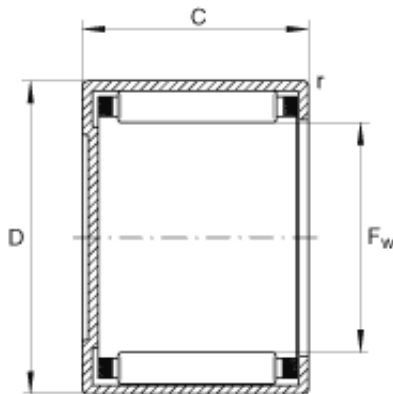




FML ske Manufacturing Co., Ltd



INA BCH1312 needle roller bearings

Bearing No. BCH1312

Size	20.638x28.575x19.05 mm
Bore Diameter	20,638 mm
Outer Diameter	28,575 mm
Width	19,05 mm
F_w	13/16 inch
F_w	20,638 mm
D	1,125 inch
D	28,575 mm
C	0,75 inch
C	19,05 mm
m	0,066 lbs / Weight
m	30 g / Weight
C_r	4300 lbf / Dynamic load rating (radial)
C_r	19200 N / Dynamic load rating (radial)
C_{0r}	6000 lbf / Static load rating (radial)
C_{0r}	26500 N / Static load rating (radial)
n_G	13600 1/min / Limiting speed

BCH1312 Bearing 2D drawings and 3D CAD models