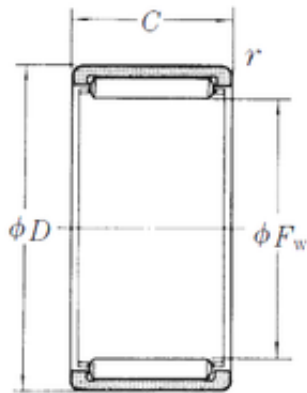




FML ske Manufacturing Co., Ltd

NSK RLM101712-1 needle roller bearings



Bearing No. RLM101712-1

Size	10x17x12 mm
Bore Diameter	10 mm
Outer Diameter	17 mm
Width	12 mm
Fw	10 mm
D	17 mm
C	12 mm
r min.	0,15 mm
Weight	0,0097 Kg
Basic dynamic load rating (C)	6,75 kN
Basic static load rating (C0)	6,2 kN

RLM101712-1 Bearing 2D drawings and 3D CAD models