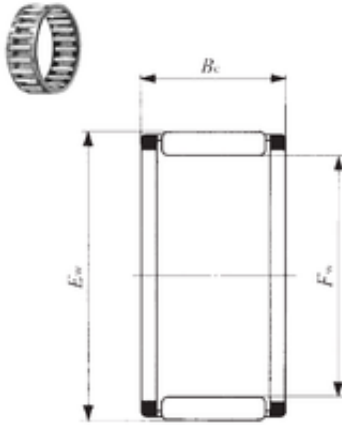




# FML ske Manufacturing Co., Ltd



## IKO KT 162217 needle roller bearings

Bearing No. KT 162217

Bore Diameter	16 mm
Outer Diameter	22 mm
Fw	16 mm
Ew	22 mm
Bc	17 mm
Weight	0,0138 Kg
Basic dynamic load rating (C)	14,2 kN
Basic static load rating (C0)	16,1 kN
Category	Bearings
Inventory	0.0
Manufacturer Name	IKO
Minimum Buy Quantity	N/A
Weight / Kilogram	0
Product Group	B04144

KT 162217 Bearing 2D drawings and 3D CAD models