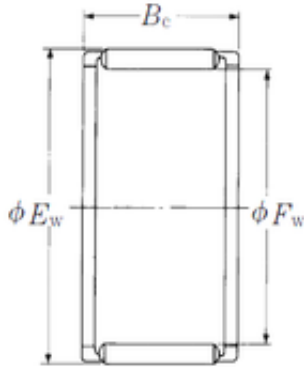




FML ske Manufacturing Co., Ltd

NSK FWF-9510330 needle roller bearings



Bearing No. FWF-9510330

Bore Diameter	95 mm
Outer Diameter	103 mm
Fw	95 mm
Ew	103 mm
Bc	30 mm
Weight	0,175 Kg
Basic dynamic load rating (C)	69,5 kN
Basic static load rating (C0)	177 kN
(Grease) Lubrication Speed	2600 r/min
hidYobi	FWF-9510330
LangID	1
Prod_Type3	NRB_CNRA_FWF-FWJ
d	95
D_	103
DA_	4
Z_	46
C	69.5
B_	30
hidTable	ecat_NSCRA
yobi	FWF-9510330
mass	175
GRS rpm	2600
OIL rpm	4300
SDM_	99
KBRG	8113
C0	177

FWF-9510330 Bearing 2D drawings and 3D CAD models



FML ske Manufacturing Co., Ltd

SLR	23.8
-----	------