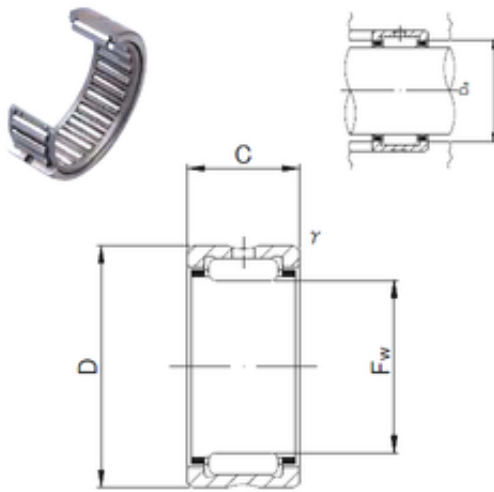




FML ske Manufacturing Co., Ltd



JNS NK40/30 needle roller bearings

Bearing No. NK40/30

Size	40x50x30 mm
Bore Diameter	40 mm
Outer Diameter	50 mm
Width	30 mm
Fw	40 mm
D	50 mm
C	30 mm
r min.	0,3 mm
Da max.	48 mm
Weight	0,125 Kg
Basic dynamic load rating (C)	42,3 kN
Basic static load rating (C0)	86,1 kN

NK40/30 Bearing 2D drawings and 3D CAD models