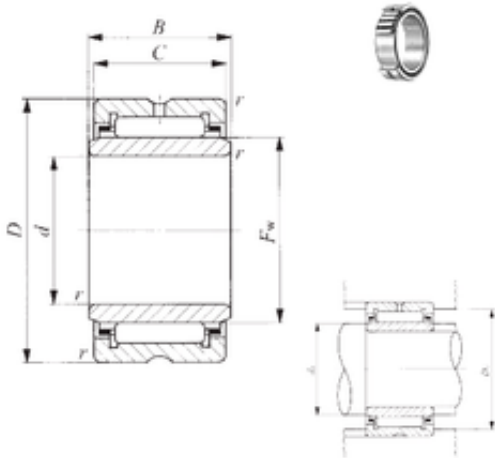




# FML ske Manufacturing Co., Ltd

42 mm x 62 mm x 30,5 mm IKO TRI 426230  
needle roller bearings

Bearing No. TRI 426230



TRI 426230 Bearing 2D drawings and 3D CAD models

Size	42x62x30.5 mm
Bore Diameter	42 mm
Outer Diameter	62 mm
Width	30,5 mm
d	42 mm
Fw	48 mm
D	62 mm
B	30,5 mm
C	30 mm
r min.	0,6 mm
da min.	46 mm
da max	47 mm
Da max.	58 mm
S	0,5 mm
Weight	0,305 Kg
Basic dynamic load rating (C)	56,3 kN
Basic static load rating (C0)	99,5 kN
Category	Bearings
Inventory	0.0
Manufacturer Name	IKO
Minimum Buy Quantity	N/A
Weight / Kilogram	0
Product Group	B04144