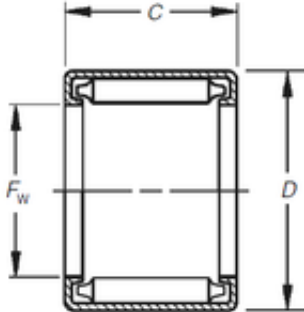




FML ske Manufacturing Co., Ltd

Timken B-86 needle roller bearings



Bearing No. B-86

Size	12.7x17.463x9.53 mm
Bore Diameter	12,7 mm
Outer Diameter	17,463 mm
Width	9,53 mm
Fw	12,7 mm
D	17,463 mm
C	9,53 mm
Weight	0,006 Kg
Basic dynamic load rating (C)	6,85 kN
Basic static load rating (C0)	10,1 kN
(Grease) Lubrication Speed	3600 r/min

B-86 Bearing 2D drawings and 3D CAD models