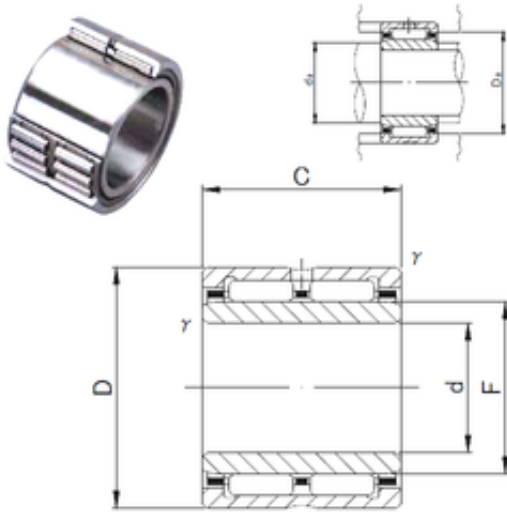




# FML ske Manufacturing Co., Ltd



NA 6918 Bearing 2D drawings and 3D CAD models

90 mm x 125 mm x 63 mm JNS NA 6918 needle roller bearings

Bearing No. NA 6918

Size	90x125x63 mm
Bore Diameter	90 mm
Outer Diameter	125 mm
Width	63 mm
d	90 mm
F	105 mm
D	125 mm
B	63 mm
C	63 mm
r min.	1,1 mm
da min.	96,5 mm
da max	103 mm
Da max.	118,5 mm
Weight	2,46 Kg
Basic dynamic load rating (C)	177,5 kN
Basic static load rating (C0)	490,3 kN