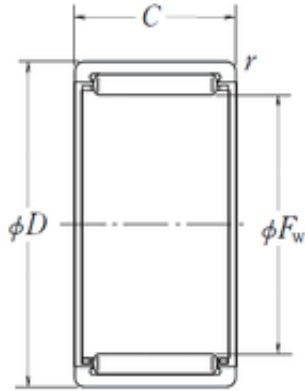


## NSK RLM101710 needle roller bearings



Bearing No. RLM101710

Size	10x17x10 mm
Bore Diameter	10 mm
Outer Diameter	17 mm
Width	10 mm
Fw	10 mm
D	17 mm
C	10 mm
r min.	0,3 mm
Weight	0,008 Kg
Basic dynamic load rating (C)	5,35 kN
Basic static load rating (C0)	4,65 kN
(Grease) Lubrication Speed	22000 r/min
hidYobi	RLM101710
LangID	1
D_	17
B_	10
hidTable	ecat_NSMRNR
GRS rpm	22000
ra	0.3
C0	4.65
C1_	10
DE_	15
SLR	6.8
Prod_Type3	NRB_S_RLM
d	10
DA_	2.5

RLM101710 Bearing 2D drawings and 3D CAD models



## FML ske Manufacturing Co., Ltd

Z_	9
SI	0
yobi	RLM101710
da_max	15
OIL rpm	36000
SDM_	12.5
r	0.3
KBRG	8312
mass1	0.008