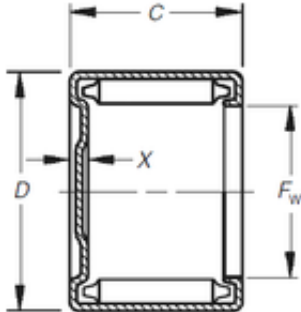




# FML ske Manufacturing Co., Ltd

## Timken M-1161 needle roller bearings



Bearing No. M-1161

Size	17.463x22.212x9.53 mm
Bore Diameter	17,463 mm
Outer Diameter	22,212 mm
Width	9,53 mm
Fw	17,463 mm
D	22,212 mm
C	9,53 mm
C1	2,03 mm
Weight	0,009 Kg
Basic dynamic load rating (C)	8,18 kN
Basic static load rating (C0)	14 kN
(Grease) Lubrication Speed	2700 r/min

M-1161 Bearing 2D drawings and 3D CAD models