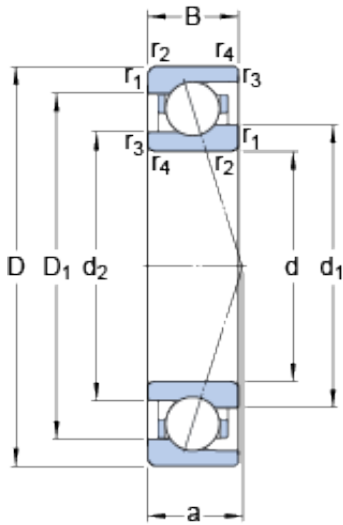




FML ske Manufacturing Co., Ltd



71908 ACE/HCP4A Bearing 2D drawings and 3D CAD models

40 mm x 62 mm x 12 mm SKF 71908 ACE/HCP4A angular contact ball bearings

Bearing No. 71908 ACE/HCP4A

Size	62x40x12 mm
Bore Diameter	62 mm
Outer Diameter	40 mm
Width	12 mm
d	40 mm
D	62 mm
B	12 mm
d ₁	46.5 mm
d ₂	44.8 mm
D ₁	54.15 mm
r _{1,2} - min.	0.6 mm
r _{3,4} - min.	0.3 mm
a	18.6 mm
d _a - min.	43.2 mm
d _b - min.	42 mm
D _a - max.	58.8 mm
D _b - max.	60 mm
r _a - max.	0.6 mm
r _b - max.	0.3 mm
d _n	48 mm
Basic dynamic load rating - C	9.2 kN
Basic static load rating - C ₀	5.8 kN
Fatigue load limit - P _u	0.245 kN
Limiting speed for grease	34000 r/min



FML ske Manufacturing Co., Ltd

Lubrication	
Limiting speed for oil lubrication	52000 mm/min
Ball - D_w	6.35 mm
Ball - z	19
G_{ref}	1.4 cm ³
Calculation factor - e	0.68
Calculation factor - Y_2	0.87
Calculation factor - Y_0	0.38
Calculation factor - X_2	0.41
Calculation factor - Y_1	0.92
Calculation factor - Y_2	1.41
Calculation factor - Y_0	0.76
Calculation factor - X_2	0.67
Preload class A - G_A	84 N
Preload class B - G_B	250 N
Preload class C - G_C	505 N
Calculation factor - f	1.05
Calculation factor - f_1	0.98
Calculation factor - f_{2A}	1
Calculation factor - f_{2B}	1.04
Calculation factor - f_{2C}	1.08
Calculation factor - f_{HC}	1.01
Preload class A	86 N/micron
Preload class B	130 N/micron
Preload class C	170 N/micron
d_1	46.5 mm
d_2	44.8 mm
D_1	54.15 mm
$r_{1,2}$ min.	0.6 mm



FML ske Manufacturing Co., Ltd

$r_{3,4}$ min.	0.3 mm
d_a min.	43.2 mm
d_b min.	42 mm
D_a max.	58.8 mm
D_b max.	60 mm
r_a max.	0.6 mm
r_b max.	0.3 mm
d_n	48 mm
Basic dynamic load rating C	9.23 kN
Basic static load rating C_0	5.85 kN
Fatigue load limit P_u	0.245 kN
Attainable speed for grease lubrication	34000 r/min
Attainable speed for oil-air lubrication	52000 r/min
Ball diameter D_w	6.35 mm
Number of balls z	19
Reference grease quantity G_{ref}	1.4 cm ³
Preload class A G_A	84 N
Static axial stiffness, preload class A	86 N/ μ m
Preload class B G_B	250 N
Static axial stiffness, preload class B	130 N/ μ m
Preload class C G_C	505 N
Static axial stiffness, preload class C	170 N/ μ m
Calculation factor f	1.05
Calculation factor f_1	0.98
Calculation factor f_{2A}	1
Calculation factor f_{2B}	1.04
Calculation factor f_{2C}	1.08
Calculation factor f_{HC}	1.01



FML ske Manufacturing Co., Ltd

Calculation factor e	0.68
Calculation factor (single, tandem) Y_2	0.87
Calculation factor (single, tandem) Y_0	0.38
Calculation factor (single, tandem) X_2	0.41
Calculation factor (back-to-back, face-to-face) Y_1	0.92
Calculation factor (back-to-back, face-to-face) Y_2	1.41
Calculation factor (back-to-back, face-to-face) Y_0	0.76
Calculation factor (back-to-back, face-to-face) X_2	0.67
Mass bearing	0.088 kg