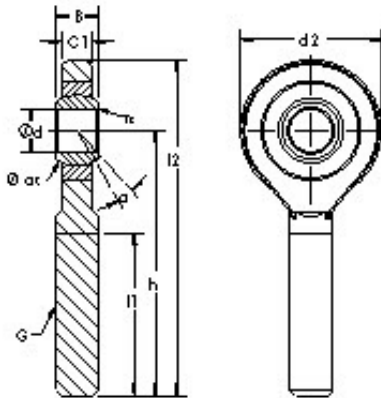




FML ske Manufacturing Co., Ltd



AST SA8E plain bearings

Bearing No. SA8E

| | |
|--|------------------------------------|
| Bore Diameter | 8 mm |
| Width | 8 mm |
| Bearing Type - steel-on-steel | steelonsteel |
| Bore Dia (d) | 8.0000 |
| Width (B) | 8.0000 |
| Radius (min) (rs) | 0.300 |
| Dynamic Load Rating (Cr) | 5,500 |
| Static Load Rating (Cor) | 10,000 |
| Spherical Diameter (dk or Dk) | 13.000 |
| Mis-alignment Angle (a deg.) | 15 |
| Thread Length (I1) | 21.000 |
| Bore Center to End of Rod (h) | 42.000 |
| Rod Overall Length (I2) | 54.000 |
| Rod End Thickness (C1) | 6.500 |
| Bore Center to Body (I7) | 13 |
| Thread Size (G) | M8 |
| Rod End Width (d2) | 24.000 |
| Weight (g) | 29.00 |
| Material - Body - Carbon steel-zinc plated, Ball - Hardened chrome steel-chrome plated | Hardened chrome steelchrome plated |

SA8E Bearing 2D drawings and 3D CAD models