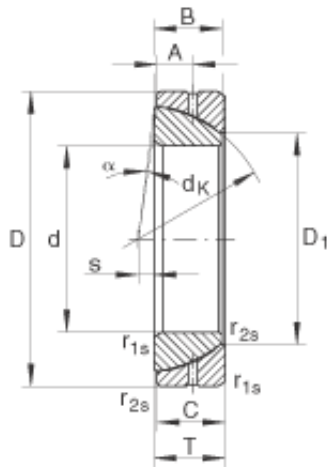




# FML s ke Manufacturing Co., Ltd



GE70-SX Bearing 2D drawings and 3D CAD models

## INA GE70-SX plain bearings

Bearing No. GE70-SX

Size	70x110x24 mm
Bore Diameter	70 mm
Outer Diameter	110 mm
Width	24 mm
T	25 mm
A	12,5 mm
C	24 mm
D <sub>1</sub>	82,2 mm
D <sub>a min</sub>	90 mm
d <sub>a max</sub>	80,9 mm
d <sub>b max</sub>	92 mm
d <sub>k</sub>	102 mm
D <sub>b min</sub>	104 mm
r <sub>1s min</sub>	1,5 mm
r <sub>2s min</sub>	0,6 mm
s	7 mm
alf ( ° )	1,1
Weight (kg)	1,1
C <sub>r</sub> (N)	209000
C <sub>0r</sub> (N)	1040000
Category	Spherical Plain Bearings - Thrust
Inventory	0.0
Manufacturer Name	SCHAEFFLER GROUP
Minimum Buy Quantity	N/A



## FML ske Manufacturing Co., Ltd

Weight / Kilogram	1.197
EAN	4012802534849
Product Group	B04264
Rolling Element	Spherical Plain
Self Aligning	Yes
Material - Outer Member	Steel
Material - Ball	Steel
Material - Liner	Not Applicable
Enclosure	Open
Relubricatable	Yes
Other Features	Angular Contact   Single Direction
Long Description	70MM Bore; 110MM Housing Outside Diameter; 25MM Overall Width; Spherical Plain; Self Aligning; Steel Outer Member; Steel Ball; No Liner; 104MM Ball Outside Diam; 24MM Housing Width; Relubricatable
Inch - Metric	Metric
Category	Plain Bearings Spherical Thrust
UNSPSC	31171515
Harmonized Tariff Code	8483.30.80.70
Noun	Bearing
Keyword 3	Spherical
Keyword String	Plain Thrust Spherical
Manufacturer URL	<a href="http://www.ina.com">http://www.ina.com</a>
Manufacturer Item Number	GE70SX
Weight / LBS	2.205
Ball Outside Diameter	4.094 Inch   104 Millimeter
Housing Width	0.945 Inch   24 Millimeter
Bore	2.756 Inch   70 Millimeter



## FML ske Manufacturing Co., Ltd

Housing Outside Diameter	4.331 Inch   110 Millimeter
Overall Width	0.984 Inch   25 Millimeter