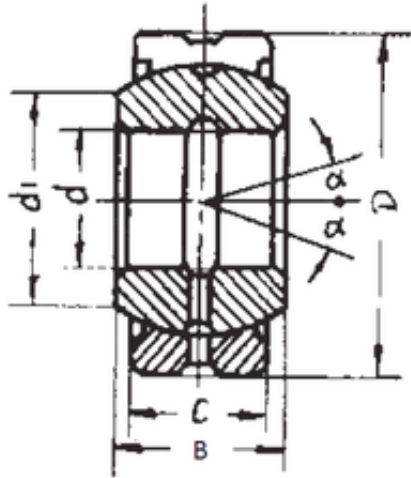




FML ske Manufacturing Co., Ltd



160 mm x 260 mm x 135 mm FBJ
GEG160ES-2RS plain bearings

Bearing No. GEG160ES-2RS

Size	160x260x135 mm
Bore Diameter	160 mm
Outer Diameter	260 mm
Width	135 mm
d	160 mm
D	260 mm
B	135 mm
C	80 mm
d1	176 mm
Angle	16 °
Weight	20,02 Kg
Basic dynamic load rating (C)	1530 kN

GEG160ES-2RS Bearing 2D drawings and 3D CAD models