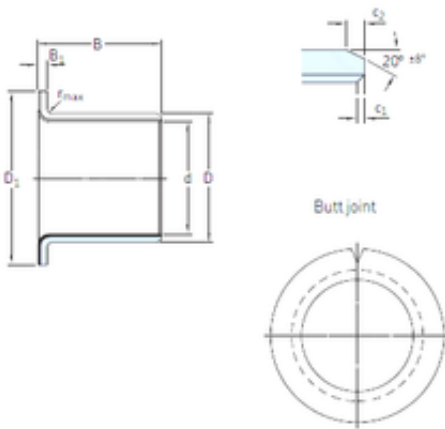




FML ske Manufacturing Co., Ltd

25 mm x 28 mm x 21,5 mm SKF PCMF 252821.5 E plain bearings

Bearing No. PCMF 252821.5 E



PCMF 252821.5 E Bearing 2D drawings and 3D CAD models

Size	25x28x21.5 mm
Bore Diameter	25 mm
Outer Diameter	28 mm
Width	21,5 mm
d	25 mm
D	28 mm
B	21,5 mm
c1 min	0,1 mm
c2 min	0,2 mm
r max	1,5 mm
B1	1,5 mm
D1	35 mm
Weight	0,025 Kg
Dynamic load rating radial (C)	37,5 kN
Dynamic load rating axial (C)	20,4 kN
Static load rating radial (C0)	116 kN
D ₁	35 mm
B ₁	1.5 mm
c ₁ min.	0.1 mm
c ₁ max.	0.7 mm
c ₂ min.	0.2 mm
c ₂ max.	1 mm
± 8	20 °
r max.	1.5 mm



FML ske Manufacturing Co., Ltd

Tolerance shaft	f7
Tolerance housing	H7
Basic dynamic load rating - radial direction C	37.5 kN
Basic static load rating - radial direction C_0	116 kN
Basic dynamic load rating - axial direction C_a	20.4 kN
Basic static load rating - axial direction C_{0a}	64 kN
Specific dynamic load factor K	80 N/mm ²
Specific static load factor K_0	250 N/mm ²
Factor depending on material and bearing type K_M	480
Permissible sliding velocity v min.	0 m/s
Permissible sliding velocity v max.	2 m/s
Coefficient of friction μ min.	0.03
Coefficient of friction μ max.	0.25
Mass bushing	0.023 kg