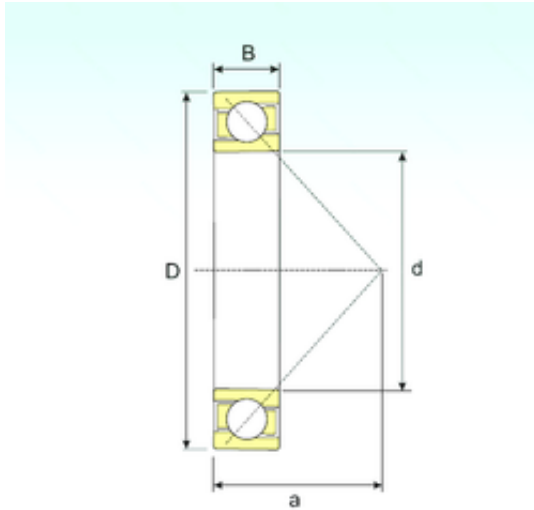




FML ske Manufacturing Co., Ltd



460 mm x 580 mm x 37 mm ISB 70892 A
angular contact ball bearings

Bearing No. 70892 A

Size	460x580x37 mm
Bore Diameter	460 mm
Outer Diameter	580 mm
Width	37 mm
d	460 mm
D	580 mm
B	37 mm
C	37 mm
a	24,5 mm
Weight	170 Kg
Basic dynamic load rating (C)	265 kN
Basic static load rating (C0)	390 kN
(Grease) Lubrication Speed	760 r/min

70892 A Bearing 2D drawings and 3D CAD models