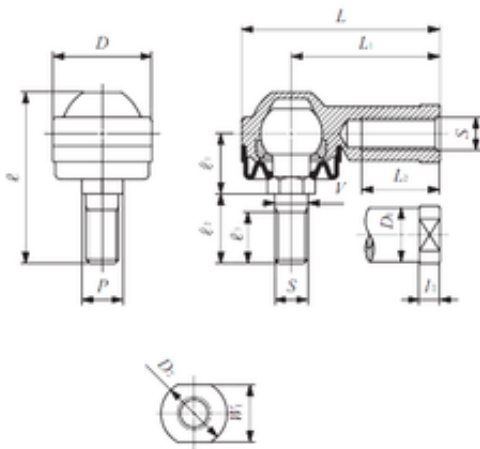




# FML ske Manufacturing Co., Ltd

## IKO LHSA 6 plain bearings

Bearing No. LHSA 6



LHSA 6 Bearing 2D drawings and 3D CAD models

P	8 mm
V	6 mm
W1	10 mm
?1	12 mm
?2	13 mm
?3	10 mm
L2	16 mm
dk	11,112 mm
l1 min.	5 mm
D	19 mm
D1	10 mm
D2	12 mm
L	39,5 mm
L1	30 mm
?	32,5 Tolerance h14
Thread (G)	M 6 × 1
Weight	27 Kg
Category	Bearings
Inventory	0.0
Manufacturer Name	IKO
Minimum Buy Quantity	N/A
Weight / Kilogram	0
Product Group	B04264