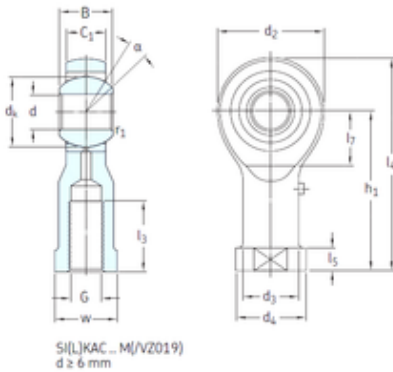




FML ske Manufacturing Co., Ltd

SKF SIKAC30M/VZ019 plain bearings

Bearing No. SIKAC30M/VZ019



SIKAC30M/VZ019 Bearing 2D drawings and 3D CAD models

Bore Diameter	30 mm
d	30 mm
d2	71 mm
d3	40 mm
d4 max.	52 mm
dk	50,8 mm
h1	110 mm
l3 min.	51 mm
l4 max.	148 mm
l5	15 mm
l7 min.	35 mm
r1 min.	0,3 mm
B	37 mm
C1	27 mm
w	41 Tolerance h14
Thread (G)	M27x2 Tolerance 6H
Angle	17 °
Weight	1,15 Kg
Basic dynamic load rating (C)	64 kN