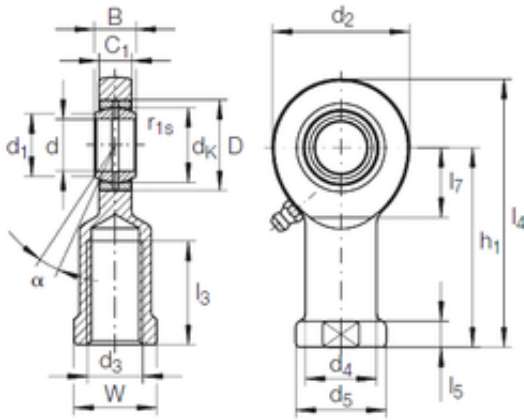




# FML ske Manufacturing Co., Ltd

## 10 mm x 19 mm x 9 mm INA GIR 10 DO plain bearings

Bearing No. GIR 10 DO



GIR 10 DO Bearing 2D drawings and 3D CAD models

Size	10x19x9 mm
Bore Diameter	10 mm
Outer Diameter	19 mm
Width	9 mm
d	10 mm
D	19 mm
B	9 mm
d1	13,2 mm
d2	29 mm
d4	15 mm
dk	16 mm
h1	43 mm
l3 min.	20 mm
l4 max.	57,5 mm
l5	6,5 mm
l7 min.	15 mm
r1 min.	0,3 mm
C1	7 mm
W	17 mm
Thread (G)	M10
Angle	12 °
d5	19 r/min
Weight	0,065 Kg
Basic dynamic load rating (C)	8,15 kN