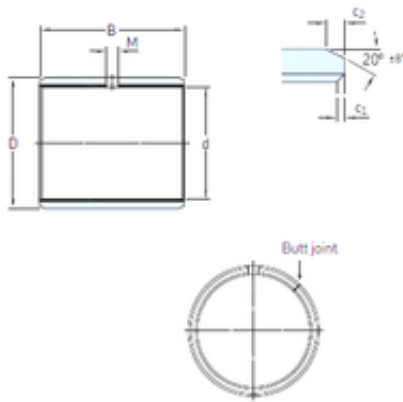




FML ske Manufacturing Co., Ltd

17,463 mm x 19,844 mm x 22,225 mm SKF PCZ 1114 E plain bearings



Bearing No. PCZ 1114 E

Size	17.463x19.844x22.225 mm
Bore Diameter	17,463 mm
Outer Diameter	19,844 mm
Width	22,225 mm
d	17,463 mm
D	19,844 mm
B	22,225 mm
c1 min	0,1 mm
c2 min	0,2 mm
M	– mm
Weight	0,011 Kg
Basic dynamic load rating (C)	31 kN
c ₁ min.	0.1 mm
c ₁ max.	0.6 mm
c ₂ min.	0.2 mm
c ₂ max.	1 mm
± 8	20 °
Shaft diameter range min.	17.412 mm
Shaft diameter range max.	17.437 mm
Housing bore range min.	19.835 mm
Housing bore range max.	19.855 mm
Basic dynamic load rating - radial direction C	31 kN
Basic static load rating - radial direction C ₀	96.5 kN

PCZ 1114 E Bearing 2D drawings and 3D CAD models



FML ske Manufacturing Co., Ltd

Specific dynamic load factor K	80 N/mm ²
Specific static load factor K_0	250 N/mm ²
Factor depending on material and bearing type K_M	480
Permissible sliding velocity v min.	0 m/s
Permissible sliding velocity v max.	2 m/s
Coefficient of friction μ min.	0.03
Coefficient of friction μ max.	0.25
Mass bushing	0.011 kg