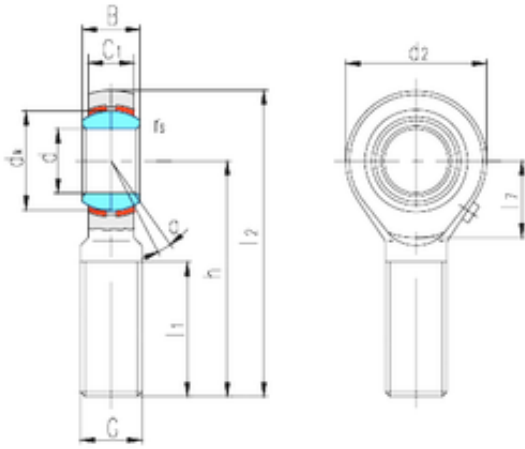




FML ske Manufacturing Co., Ltd



LS SAZP19S plain bearings

Bearing No. SAZP19S

Bore Diameter	19,05 mm
d	19,05 mm
B	22,23 mm
d2	44,45 mm
dk	33,32 mm
h	73,03 mm
l1 min.	44,45 mm
l2 max.	95,25 mm
l7 min.	20,9 mm
r min.	0,6 mm
C1	17,45 mm
Thread (G) - 3/4-16	3/416
Angle	10 °
Weight	0,29 Kg
Basic dynamic load rating (C)	29 kN

SAZP19S Bearing 2D drawings and 3D CAD models