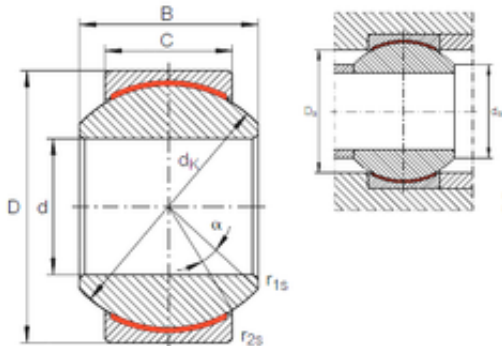




FML ske Manufacturing Co., Ltd

6 mm x 16 mm x 9 mm INA GE 6 PW plain bearings



Bearing No. GE 6 PW

Size	6x16x9 mm
Bore Diameter	6 mm
Outer Diameter	16 mm
Width	9 mm
d	6 mm
D	16 mm
B	9 mm
C	6,75 mm
dk	12,7 mm
r1 min.	0,3 mm
r2 min.	0,3 mm
da max	8,9 mm
Da min	11,5 mm
Angle	13 °
Weight	0,01 Kg
Basic dynamic load rating (C)	7,65 kN

GE 6 PW Bearing 2D drawings and 3D CAD models