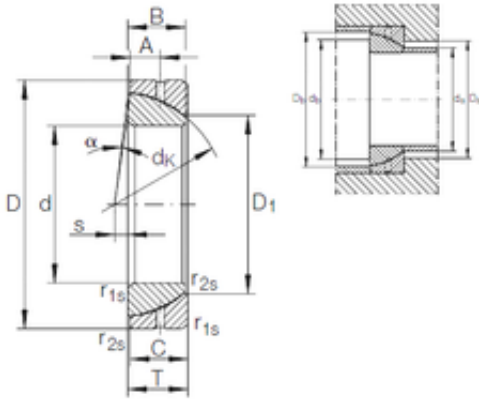




# FML ske Manufacturing Co., Ltd

## 170 mm x 260 mm x 54 mm INA GE 170 SX plain bearings



GE 170 SX Bearing 2D drawings and 3D CAD models

Bearing No. GE 170 SX

Size	170x260x57 mm
Bore Diameter	170 mm
Outer Diameter	260 mm
Width	57 mm
d	170 mm
D	260 mm
T	57 mm
B	54 mm
C	54 mm
dk	250 mm
r1 min.	3 mm
r2 min.	1 mm
A	28,5 mm
D1	194,3 mm
S	27 mm
da max	190,4 mm
Da min	208 mm
db min	228 mm
Db min.	253 mm
Angle	1,4 °
Weight	13 Kg
Basic dynamic load rating (C)	1080 kN