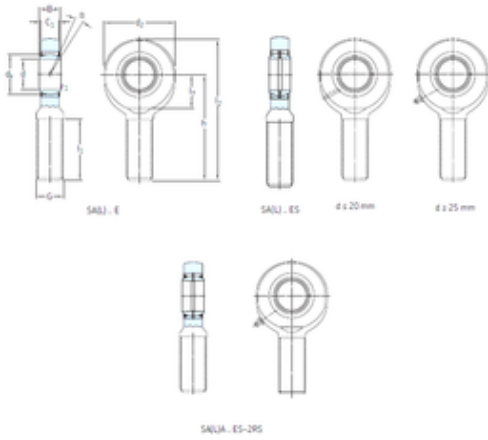




# FML ske Manufacturing Co., Ltd



## SKF SAL25ES plain bearings

Bearing No. SAL25ES

Bore Diameter	25 mm
d	25 mm
d2	65 mm
dk	35,5 mm
h	94 mm
l1 min.	53 mm
l2 max.	128 mm
l7 min.	30 mm
r1 min.	0,6 mm
B	20 mm
C1	18 mm
Thread (G)	M24x2 Tolerance 6g
Angle	7 °
Weight	0,53 Kg
Basic dynamic load rating (C)	48 kN

SAL25ES Bearing 2D drawings and 3D CAD models