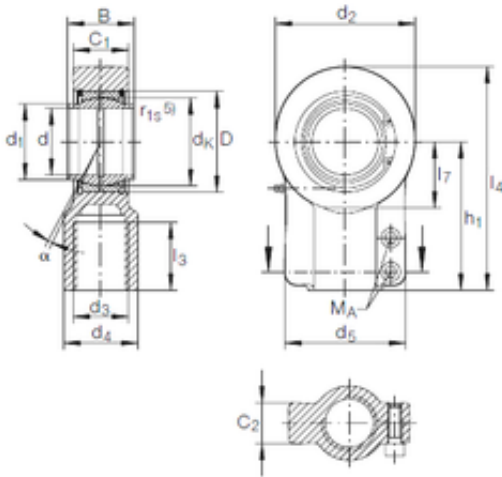




FML ske Manufacturing Co., Ltd



80 mm x 120 mm x 80 mm INA GIHN-K 80 LO plain bearings

Bearing No. GIHN-K 80 LO

GIHN-K 80 LO Bearing 2D drawings and 3D CAD models

Size	80x120x80 mm
Bore Diameter	80 mm
Outer Diameter	120 mm
Width	80 mm
d	80 mm
D	120 mm
B	80 mm
Screw	M16X45
d1	91 mm
d2	168 mm
d4	90 mm
dk	105 mm
h1	180 mm
l3 min.	86 mm
l4 max.	270 mm
l7 min.	78 mm
C1	66 mm
Thread (G)	M64X3
Angle	4 °
d5	148 r/min
C2	48 mm
Weight	14,5 Kg
Basic dynamic load rating (C)	400 kN