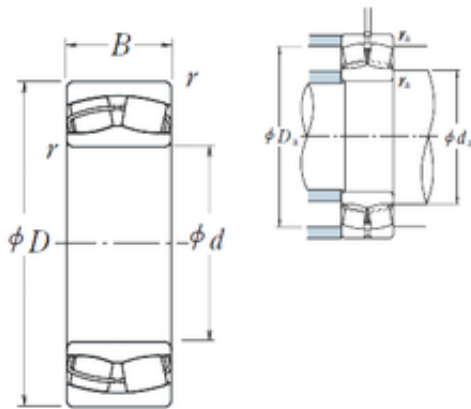




FML ske Manufacturing Co., Ltd



200 mm x 340 mm x 112 mm NSK 23140CE4 spherical roller bearings

Bearing No. 23140CE4

23140CE4 Bearing 2D drawings and 3D CAD models

Size	200x340x112 mm
Bore Diameter	200 mm
Outer Diameter	340 mm
Width	112 mm
d	200 mm
D	340 mm
B	112 mm
C	112 mm
r min.	3 mm
da min.	214 mm
da max	232 mm
Da min	293 mm
Da max.	326 mm
ra max.	2,5 mm
Weight	42,7 Kg
Basic dynamic load rating (C)	1360 kN
Basic static load rating (C0)	2330 kN
(Grease) Lubrication Speed	800 r/min
(Oil) Lubrication Speed	1000 r/min
Calculation factor (e)	0,31
Calculation factor (Y0)	2,1
Calculation factor (Y2)	3,2
Category	Spherical Roller Bearings
Inventory	0.0
Manufacturer Name	NSK



FML ske Manufacturing Co., Ltd

Minimum Buy Quantity	N/A
Weight / Kilogram	50
EAN	0029176027581
Product Group	B04311
Internal Clearance	C0-Medium
Mounting Method	Shaft Mount
Rolling Element	Spherical Roller Bearing
Bore Profile	Straight
Cage Material	Steel
Enclosure	Open
Number of Rows of Rollers	Double Row
Relubricatable	Yes
Withdrawal Sleeve	Not Applicable
Inch - Metric	Metric
Long Description	200MM Straight Bore; 340MM Outside Diameter; 112MM Width; C0-Medium Clearance; Shaft Mount; Double Row of Spherical Roller Bearings; Steel Cage Material; Open Enclosure; Relubricatable
Category	Spherical Roller Bearing
UNSPSC	31171510
Harmonized Tariff Code	84823080
Noun	Bearing
Keyword String	Spherical
Manufacturer URL	http://www.nskamericas.com
Manufacturer Item Number	23140CE4
Weight / LBS	42.4
Bore	7.874 Inch 200 Millimeter
Width	4.409 Inch 112 Millimeter
Adapter Part Number	Not Applicable Inch Not Applicable Millimeter



FML ske Manufacturing Co., Ltd

Outside Diameter	13.386 Inch 340 Millimeter
bore diameter:	200 mm
outer ring type:	Not Split
outside diameter:	340 mm
internal clearance:	C0
overall width:	112 mm
lubrication hole type:	Oil Grooves And Holes In Outer Ring
bore type:	Straight
cage material:	Bronze
Y3	2.2
hidYobi	23140CE4
LangID	1
Y1	2.2
D_	340
Y2	3.2
Macha rpm	0
B_	112
da min	214
hidTable	ecat_NSSPHR
Oil rpm	1000
Y0	2.1
mass	42.6
GRS rpm	800
ra	2.5
TSR rpm	1500
C0	2330
DE_	305.554
X0	1
Prod_Type3	SRB_CTB_CB
X1	1
X2	0.67
SIR	45



FML ske Manufacturing Co., Ltd

e	0.31
DA_	34
bomp	23140CE4
Z_	21
ALP2	40
ALP1	11
ALP3	0
D_a max	326
D_a min	293
yobi	23140CE4
ALPHA_	0.204
SDM_	272.257
r	3
KBRG	2322
SBRG	31
DI_	238.959