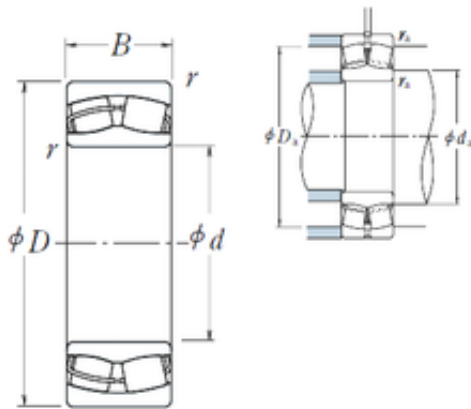




FML ske Manufacturing Co., Ltd



140 mm x 210 mm x 69 mm NSK 24028CE4 spherical roller bearings

Bearing No. 24028CE4

24028CE4 Bearing 2D drawings and 3D CAD models

Size	140x210x69 mm
Bore Diameter	140 mm
Outer Diameter	210 mm
Width	69 mm
d	140 mm
D	210 mm
B	69 mm
C	69 mm
r min.	2 mm
da min.	150 mm
da max	154 mm
Da min	186 mm
Da max.	200 mm
ra max.	2 mm
Weight	8,37 Kg
Basic dynamic load rating (C)	525 kN
Basic static load rating (C0)	945 kN
(Grease) Lubrication Speed	1300 r/min
(Oil) Lubrication Speed	1700 r/min
Calculation factor (e)	0,29
Calculation factor (Y0)	2,2
Calculation factor (Y2)	3,4
Category	Spherical Roller Bearings
Inventory	0.0
Manufacturer Name	NSK



FML ske Manufacturing Co., Ltd

Minimum Buy Quantity	N/A
Weight / Kilogram	8.4
EAN	0029176025860
Product Group	B04311
Internal Clearance	C0-Medium
Mounting Method	Shaft Mount
Rolling Element	Spherical Roller Bearing
Bore Profile	Straight
Cage Material	Steel
Enclosure	Open
Number of Rows of Rollers	Double Row
Relubricatable	Yes
Withdrawal Sleeve	Not Applicable
Inch - Metric	Metric
Long Description	140MM Straight Bore; 210MM Outside Diameter; 69MM Width; C0-Medium Clearance; Shaft Mount; Double Row of Spherical Roller Bearings; Steel Cage Material; Open Enclosure; Relubricatable
Category	Spherical Roller Bearing
UNSPSC	31171510
Harmonized Tariff Code	84823080
Noun	Bearing
Keyword String	Spherical
Manufacturer URL	http://www.nskamericas.com
Manufacturer Item Number	24028CE4
Weight / LBS	8.4
Outside Diameter	8.268 Inch 210 Millimeter
Bore	5.512 Inch 140 Millimeter
Adapter Part Number	Not Applicable Inch Not Applicable Millimeter



FML ske Manufacturing Co., Ltd

Width	2.717 Inch 69 Millimeter
bore diameter:	140 mm
internal clearance:	C0
outside diameter:	210 mm
closure type:	Open
overall width:	69 mm
cage material:	Steel
bore type:	Straight
manufacturer upc number:	029176025860
Y3	2.3
hidYobi	24028CE4
LangID	1
Y1	2.3
D_	210
Y2	3.4
Macha rpm	0
B_	69
da min	150
hidTable	ecat_NSSPHR
Oil rpm	1700
Y0	2.2
mass	8.37
GRS rpm	1300
ra	2
TSR rpm	2200
C0	945
DE_	192.344
X0	1
Prod_Type3	SRB_CTB_CB
X1	1
X2	0.67
SIR	27.5



FML ske Manufacturing Co., Ltd

e	0.29
DA_	17.5
bomp	24028CE4
Z_	26
ALP2	5
ALP1	11
ALP3	0
D_a max	200
D_a min	186
yobi	24028CE4
ALPHA_	0.193
SDM_	175.171
r	2
KBRG	2322
SBRG	40
DI_	157.997