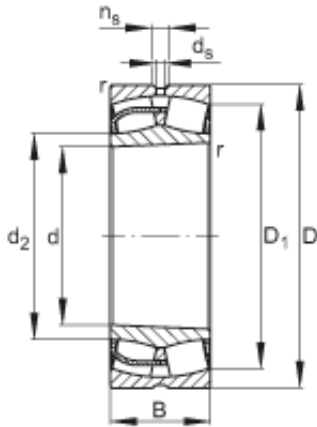




FML ske Manufacturing Co., Ltd



160 mm x 240 mm x 80 mm FAG 24032-E1-K30 spherical roller bearings

Bearing No. 24032-E1-K30

24032-E1-K30 Bearing 2D drawings and 3D CAD models

Size	160x240x80 mm
Bore Diameter	160 mm
Outer Diameter	240 mm
Width	80 mm
d	160 mm
D	240 mm
B	80 mm
D ₁	212,5 mm
D _{a max}	229,8 mm
d ₂	179,3 mm
d _{a min}	170,2 mm
d _s	4,8 mm
n _s	9,5 mm
r _{a max}	2,1 mm
r _{min}	2,1 mm
m	12,2 kg / Weight
C _r	770000 N / Dynamic load rating (radial)
e	0,29
Y ₁	2,32
Y ₂	3,45
C _{0r}	1240000 N / Static load rating (radial)
Y ₀	2,26



FML ske Manufacturing Co., Ltd

n_G	2550 1/min / Limiting speed
n_B	1690 1/min
C_{ur}	137000 N / Fatigue limit load, radial